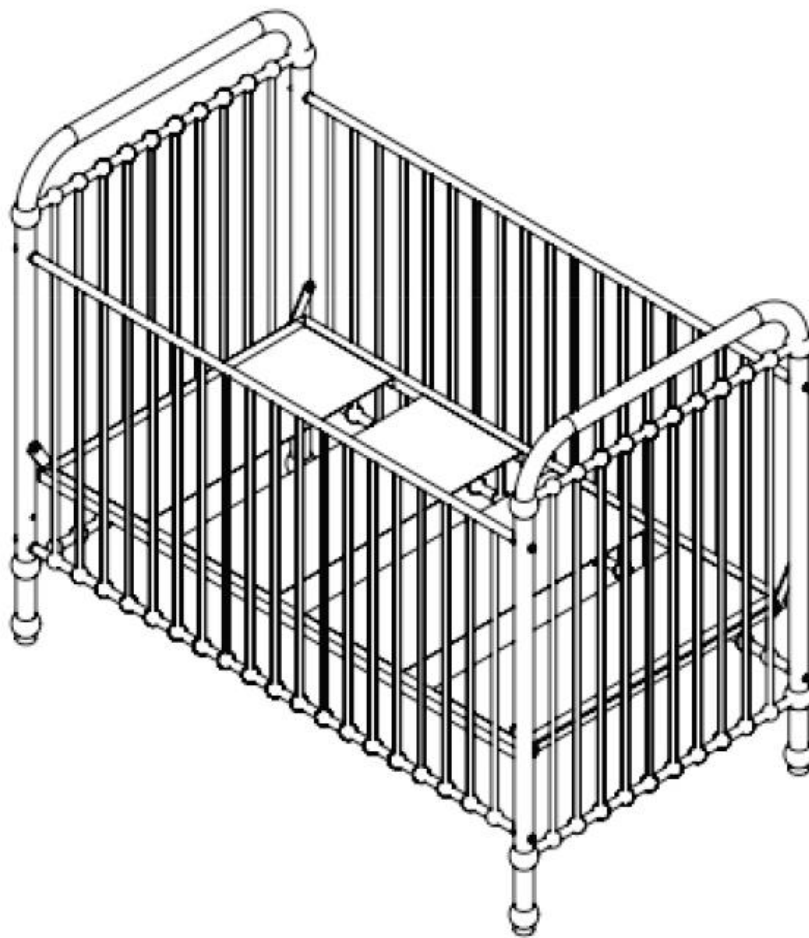


# Romy Crib

USA Item #: U045



\*Shown with mattress (sold separately)

Made in Vietnam for:  
Incy Interiors Pty Ltd  
2a Piper Street, Bathurst, NSW, 2795  
AUSTRALIA  
1300 94 20 50  
[www.incyinteriors.com.au](http://www.incyinteriors.com.au)

Designed and Distributed in Australia by:  
Incy Interiors Pty Ltd  
2a Piper Street, Bathurst, NSW, 2795  
AUSTRALIA  
1300 94 20 50  
[www.incyinteriors.com.au](http://www.incyinteriors.com.au)

# UNITED STATES CRIB SAFETY WARNINGS

## IMPORTANT



### WARNING

**FAILURE TO FOLLOW THESE WARNINGS AND THE ASSEMBLY INSTRUCTIONS COULD RESULT IN SERIOUS INJURY OR DEATH**

Read all instructions before assembling crib. Keep instructions for future use.

Never use plastic shipping bags or other plastic film as mattress covers because they can cause suffocation.

Infants can suffocate in gaps between crib sides and a mattress that is too small.

Infants can suffocate on soft bedding. Never add a pillow or comforter. Never place additional padding under an infant.

To reduce the risk of **SIDS**, pediatricians recommend healthy infants be placed on their backs to sleep, unless otherwise advised by your physician.

#### **Strangulation Hazard:**

- Strings can cause strangulation! DO NOT place items with a string around a child's neck, such as hood strings or pacifier cords.
- DO NOT suspend strings over a crib or attach strings to toys.
- To help prevent strangulation tighten all fasteners. A child can trap parts of the body or clothing on loose fasteners.
- DO NOT place crib near window where cords from blinds or drapes may strangle a child.

#### **Fall Hazard:**

- When child is able to pull to a standing position, set mattress to lowest position and remove bumper pads, large toys and other objects that could serve as steps for climbing out.
- Stop using crib when child is able to climb out or reaches the height of 35 in. (89 cm).
- Check this product for damaged hardware, loose joints, loose bolts or other fasteners, missing parts, or sharp edges before and after assembly and frequently during use. Securely tighten loose bolts and other fasteners. DO NOT use crib if any parts are missing, damaged or broken. Contact Incy Interiors for replacement parts and instructional literature if needed. DO NOT substitute parts.
- If refinishing, use a non-toxic finish specified for children's products.
- Follow warnings on all products in a crib.

**CAUTION: ANY MATTRESS USED IN THIS CRIB MUST BE AT LEAST 27-5/8 INCHES BY 52 INCHES WITH A THICKNESS NOT EXCEEDING 6 INCHES.**

# **CANADIAN REGULATIONS**

## **AFTER CRIB HAS BEEN COMPLETELY ASSEMBLED, STORE INSTRUCTION SHEET IN THIS POUCH.**

- Do not use this crib if you cannot exactly follow the accompanying instructions.
- Do not use this crib for a child who can climb out of it or who is taller than 90 cm.
- Do not place in or near this crib any cord, strap or similar item that could become wrapped around a child's neck.
- Do not place this crib near a window or a patio door where a child could reach the cord of a blind or curtain and be strangled.
- Ensure that the sides of this crib are properly latched or locked in the appropriate position when a child is left unattended in it.
- Check this crib regularly before using it and do not use it if any parts are loose or missing or if there are any signs of damage. Do not substitute parts. Contact Incy Interiors if replacement parts or additional instructions are needed.
- Use a crib mattress that is no thicker than 15 cm and is of such a size that, when it is pushed firmly against any side of the crib, it does not leave a gap of more than 3 cm between the mattress and any part of the sides of the crib.
- Children can suffocate on soft bedding. Do not place pillows, comforters or soft mattresses in this crib.

## AUSTRALIAN STANDARDS COMPLIANCE



### WARNING

**WARNING: TO PREVENT FALLS THE MATTRESS BASE OF THIS COT SHOULD BE ADJUSTED TO THE LOWEST POSITION BEFORE THE CHILD CAN SIT UP  
RECOMMENDED MATTRESS SIZE: 700 MM WIDE X 1320 MM LONG X NO MORE THAN 100 MM THICK**

- Failure to follow these warnings and the assembly instructions could result in serious injury or death.
- Before each usage or assembly, inspect cot for damaged hardware, Loose joints, missing parts or sharp edges. Do not use cot if any parts are missing or broken. Ask your dealer or contact incy interiors for replacement parts and instructional literature if needed. Do not substitute parts.
- When child is able to climb out or reach the height of 90 cm, the cot shall no longer be used.
- Do not place cot near window where cords from blinds or drapes may strangle the child.
- If refinishing, use a non-toxic finish specified for children's products.
- Do not use a water mattress with this cot
- Upon completion of assembly, be sure all screws and bolts have been tightened securely.
- A periodic check should be made of all screws and bolts and retightened if necessary.
- Never use plastic shipping bags or other plastic film as mattress covers because they can cause suffocation.
- Do not drag cot.
- After cot has been completely assembled, store instruction sheet in this pouch.
- Under no circumstances should this warning be removed from mattress support!



### WARNING

**WARNING: TO PREVENT FALLS, THE MAXIMUM MATTRESS THICKNESS SHOULD NOT EXCEED 100 MM.**

## Care & Maintenance

- When cleaning your crib, use a non-toxic, non-abrasive cleaner. Mix a solution of water with a small amount of a mild detergent. Apply to crib surface with a damp cloth.
- When moving the crib without castors assembled, always lifts the unit. Do not push or drag it to avoid damaging the base.
- It is important that the humidity levels in the room be controlled from extremes of too much humidity or too little. The crib should not be placed directly next to air-conditioning, outlets, fire places, radiators, space heaters, humidifiers, or dehumidifiers. Exposure to extreme variations of temperature and humidity can damage wood products.
- Keep the crib out of direct sunlight. UV rays may fade colours and in some cases darken them. It can cause crazing or hair line cracks in the finish. White finishes will darken naturally over time and exposure to direct sunlight will hasten this natural process along with some wood darkening; this is not considered to be a quality defect.
- If you need to put your crib in storage for any period of time do not store it in a damp or hot environment. Allow air flow around the furniture and do not stack anything on it.

## Check List

- Always check the crib is free from damage before use. Do not use product if any damage is present.
- Regularly check that all assembly fittings are always tightened properly and retighten as necessary.

## After Sales Customer Service

When you receive your Incy Interiors product, if you need any assistance or if you have any comments with respect to any aspect of the goods, please contact your local distributor via email.

If you are missing parts you can order parts by writing to the address below or call 888 –623 –5044. Please include the product name, colour, and a brief description of the part you are missing.

You can also visit our website at [www.incyinteriors.com](http://www.incyinteriors.com) for latest product information.

For service in United States:

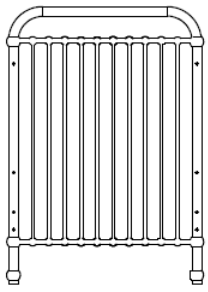
Incy Interiors Pty Ltd  
C/- ATC International  
859 East Sepulveda Blvd  
Carson, CA 90745 USA  
Ph 888 –623 –5044  
[www.incyinteriors.com](http://www.incyinteriors.com)

For service in Australia:

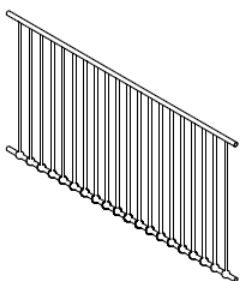
Incy Interiors Pty Ltd  
2a Piper Street, Bathurst, NSW, 2795  
AUSTRALIA  
1300 94 20 50  
[www.incyinteriors.com.au](http://www.incyinteriors.com.au)

# Parts list

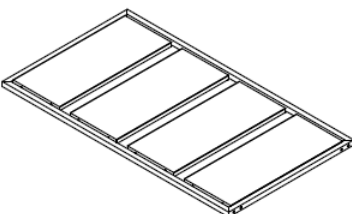
(1)headboard X 2pcs



(2)guardrail x 2pcs



(3)frame x 1pc



(4)Support Bar x 4pcs



(5)fixing flat x 2pcs  
(only use on level 1)



**fittings**

(A)M8 X 20mm x12pcs



(B)1/4" x 2-1/4 x 8pcs



(C)washer x 8pcs



(D) allen Key  
m4 x 1pc  
m5 x 1pc



(E) 1/4 X 15mm X2pcs



(F) Metal dowel x 4pcs pieces



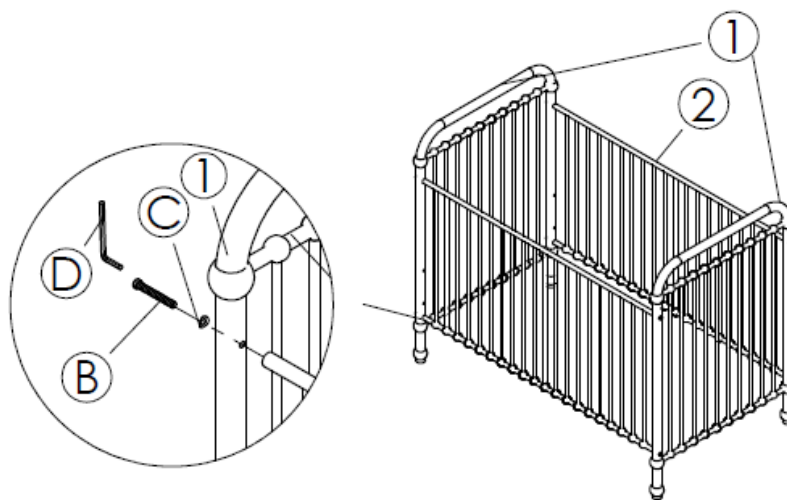
# Assembly Instructions

**Tools Necessary:** Allen Key (included)

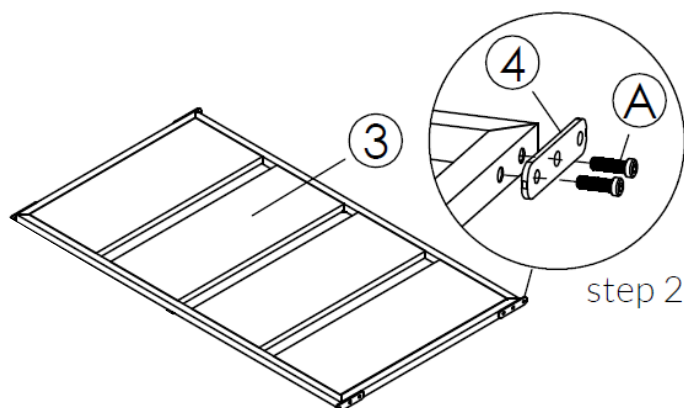
NOTE: It may be easier to assemble product with two people.

NOTE: When inserting bolts, turn clockwise until tight. Then loosen off a turn. After crib is completely assembled, return to each bolt and tighten.

1. Stand both headboards of the crib (part 1) upright, screw plastic feet into the bottom of each of the legs

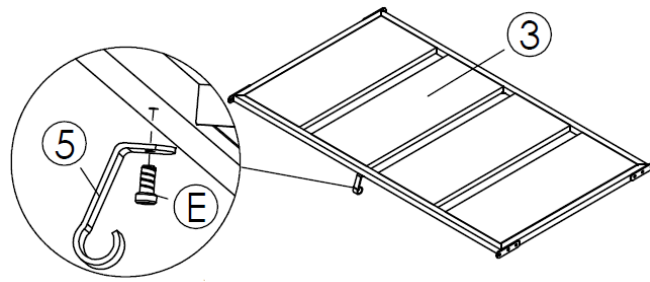


2. Place metal dowels (part F) into each corner of the mattress frame/base (part 3) leaving  $\frac{3}{4}$  of the dowel out of the frame
3. Attach the support bars (part 4) to the mattress frame/base with screws (part A) and the smaller allen key provided



4. Attach fixing flats (part 5) to the mattress frame/base with screws (part E)

**IMPORTANT NOTE: These are only to be used when the mattress frame/base is set on level 1**



5. Slide mattress frame/base (part 3) into both crib ends at the preferred mattress height

6. Attach each of the guardrails (part 2) with the bolts (part B) and washer (part C) using the larger allen key provided, screwing tightly but do not over tighten

