



# Penny Bed – Full Size

**USA Item #'s: U039-1, U039-2, U039-3**

**Australian Item #'s: 1767-1, 1767-2, 1767-3**



\*Shown with mattress (sold separately)

Made in Vietnam for:  
Incy Interiors Pty Ltd  
2a Piper Street, Bathurst, NSW, 2795  
AUSTRALIA  
1300 94 20 50  
[www.incyinteriors.com.au](http://www.incyinteriors.com.au)

Designed and Distributed in Australia by:  
Incy Interiors Pty Ltd  
2a Piper Street, Bathurst, NSW, 2795  
AUSTRALIA  
1300 94 20 50  
[www.incyinteriors.com.au](http://www.incyinteriors.com.au)

# IMPORTANT SAFETY INFORMATION FOR TODDLER & DAY BEDS



**WARNING**

## **WARNING: ENTRAPMENT / STRANGULATION HAZARD**

Infants have died in toddler beds from entrapment and strangulation.

Failure to follow these warnings and the assembly instructions could result in serious injury or death.

NEVER use bed with children under 15 months.

NEVER place bed near windows where cords from blinds or drapes may strangle a child.

- DO NOT place bed near windows where cords from blinds or drapes may strangle a child.
- DO NOT place items with a string, cord, or ribbon around a child's neck, such as hood strings or pacifier cords.
- A child using the toddler or day bed shall be at least 15 months of age and shall not weigh more than 50lbs (22.7kgs).

## **Care & Maintenance**

- When cleaning your bed, use a non-toxic, non-abrasive cleaner. Mix a solution of water with a small amount of a mild detergent. Apply to bed surface with a damp cloth.
- When moving the bed when assembled, always lift the unit. Do not push or drag it to avoid damaging the base.
- It is important that the humidity levels in the room be controlled from extremes of too much humidity or too little. The bed should not be placed directly next to air-conditioning, outlets, fire places, radiators, space heaters, humidifiers, or dehumidifiers. Exposure to extreme variations of temperature and humidity can damage wood products.
- Keep the bed out of direct sunlight. UV rays may fade colours and in some cases darken them. It can cause crazing or hair line cracks in the finish. White finishes will darken naturally over time and exposure to direct sunlight will hasten this natural process along with some wood darkening; this is not considered to be a quality defect.
- If you need to put your bed in storage for any period of time do not store it in a damp or hot environment. Allow air flow around the furniture and do not stack anything on it.

## Check List

- Always check the bed is free from damage before use. Do not use product if any damage is present.
- Regularly check that all assembly fittings are always tightened properly and retighten as necessary.

## After Sales Customer Service

When you receive your Incy Interiors product, if you need any assistance or if you have any comments with respect to any aspect of the goods, please contact your local distributor via email.

If you are missing parts you can order parts by writing to the address below or call 888 –623 –5044. Please include the product name, colour, and a brief description of the part you are missing.

You can also visit our website at [www.incyinteriors.com](http://www.incyinteriors.com) for latest product information.

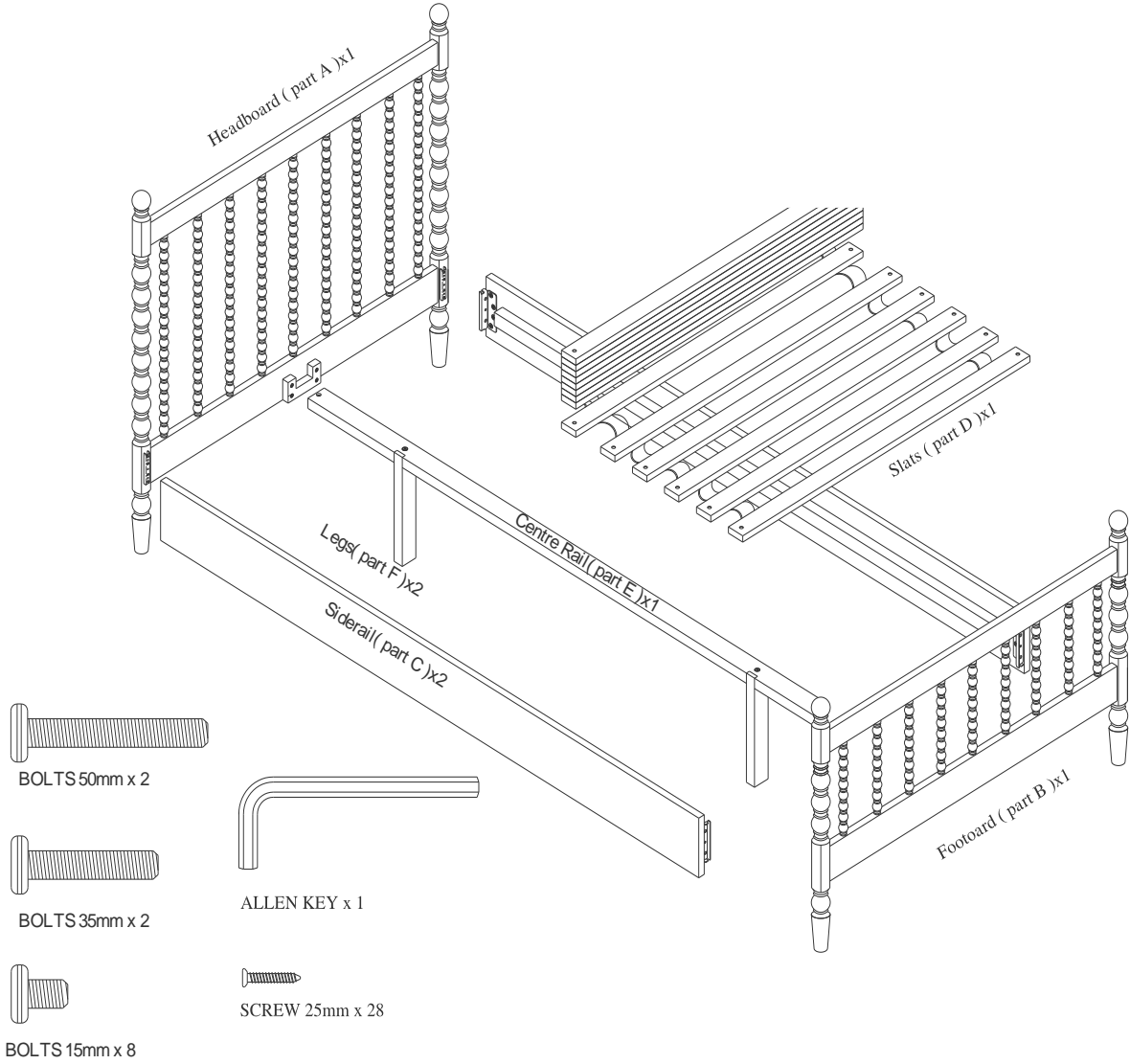
For service in United States:

Incy Interiors Pty Ltd  
C/- ATC International  
859 East Sepulveda Blvd  
Carson, CA 90745 USA  
Ph 888 –623 –5044  
[www.incyinteriors.com](http://www.incyinteriors.com)

For service in Australia:

Incy Interiors Pty Ltd  
2a Piper Street, Bathurst, NSW, 2795  
AUSTRALIA  
1300 94 20 50  
[www.incyinteriors.com.au](http://www.incyinteriors.com.au)

# Parts list



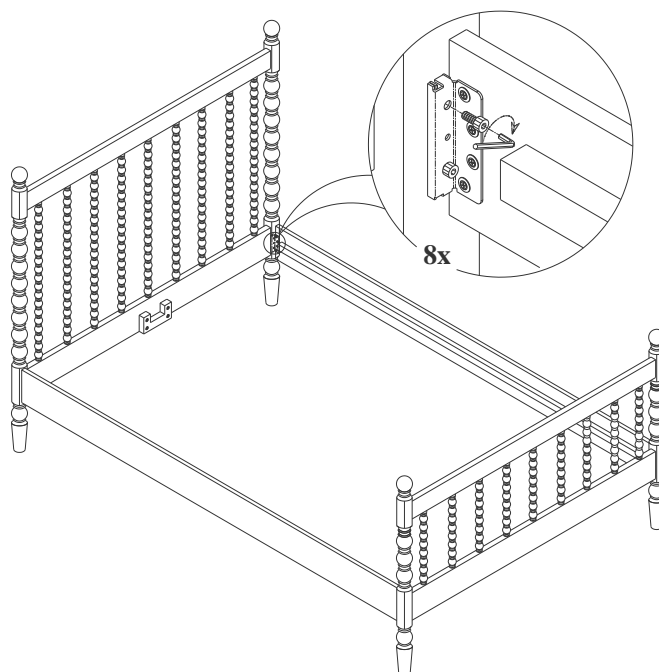
# Assembly Instructions

**Tools Necessary:** Allen Key (included)

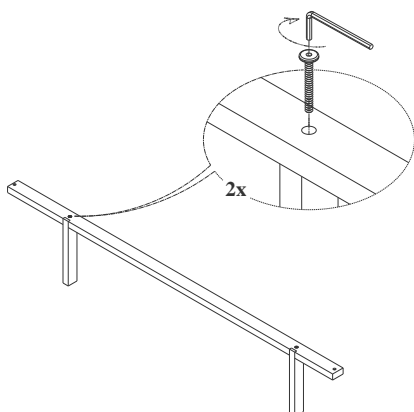
NOTE: It may be easier to assemble product with two people.

NOTE: When inserting bolts, turn clockwise until tight. Then loosen off a turn. After crib is completely assembled, return to each bolt and tighten.

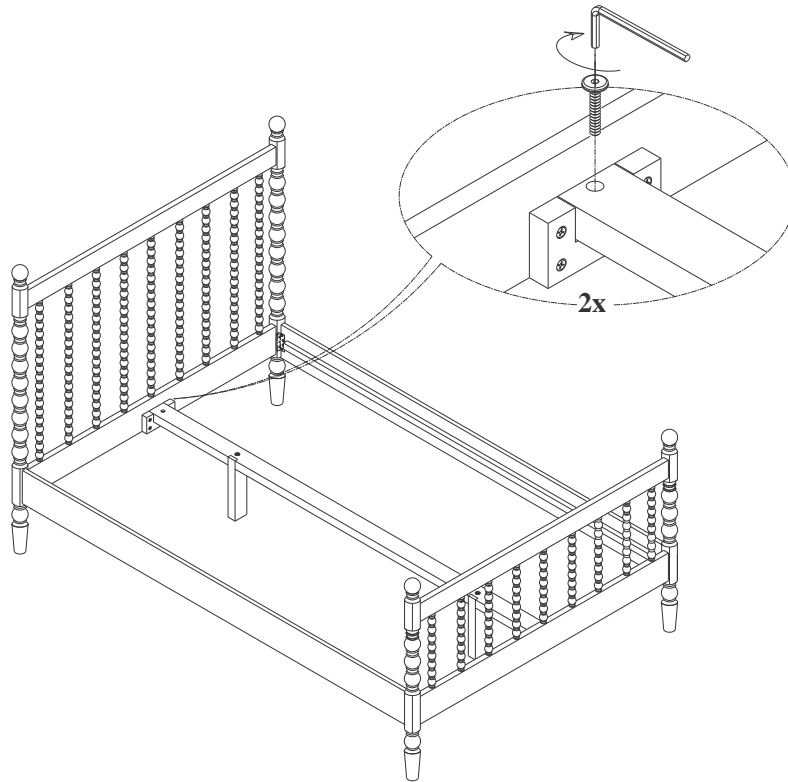
1. Stand headboard (part a) and footboard (part b) approximately 2 metres apart. With the holes facing inwards
2. Hook each of the siderails (part c) onto the gold brackets on the headboard (part a) and footboard (part b)
3. Insert 2 x small bolts (15 mm) into each of the holes and using the allen key provided, tighten. Repeat this in all four corners



4. Attach both legs (part f) to the centre rail (part e) using large bolts (50mm) and allen key provided



- Hook centre rail (part e) onto the gold brackets in the centre of the headboard (part a) and footboard (part b)
- Insert 2 x medium bolts (35 mm) into each of the holes and using the allen key provided, tighten. Repeat this in all four corners



- Lay slats (part d) across the siderails with the webbing facing down. Stretch the webbing to ensure slats cover the base of the bed
- Attach slats (part d) to the siderails using the screws and screwdriver and tighten.

